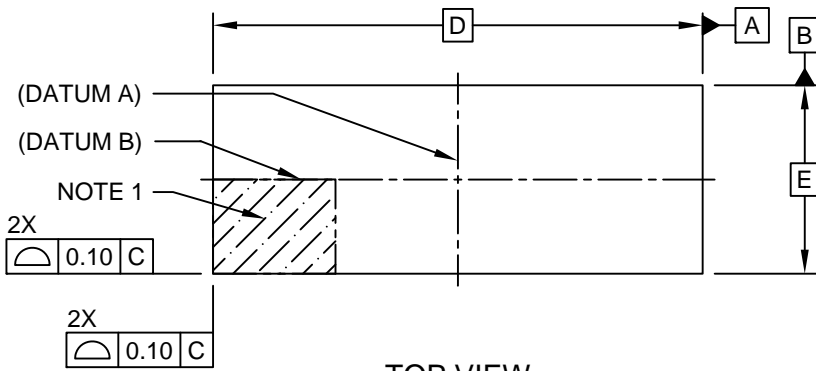


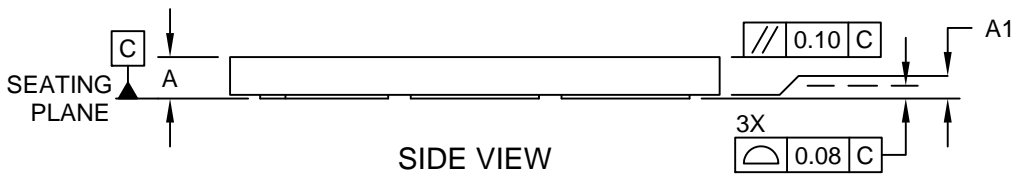
# 3-Lead Contact Package (LAB) - 6.54x2.5 mm Body [Contact]

## Atmel Legacy Global Package Code RHB

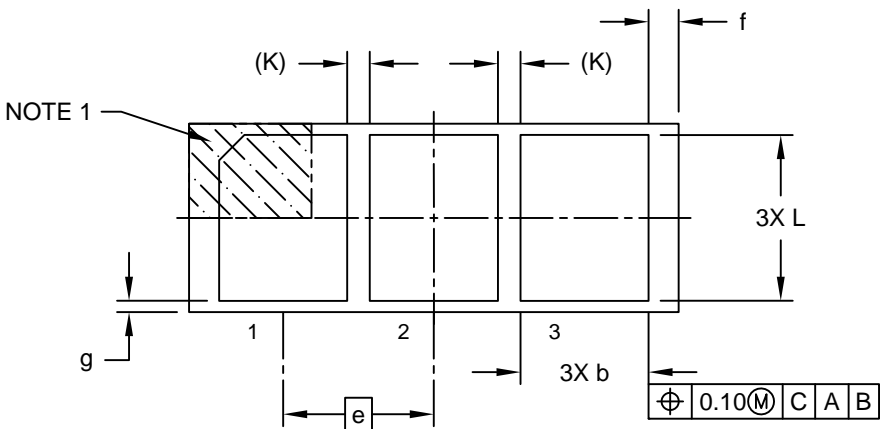
**Note:** For the most current package drawings, please see the Microchip Packaging Specification located at <http://www.microchip.com/packaging>



TOP VIEW



SIDE VIEW



BOTTOM VIEW