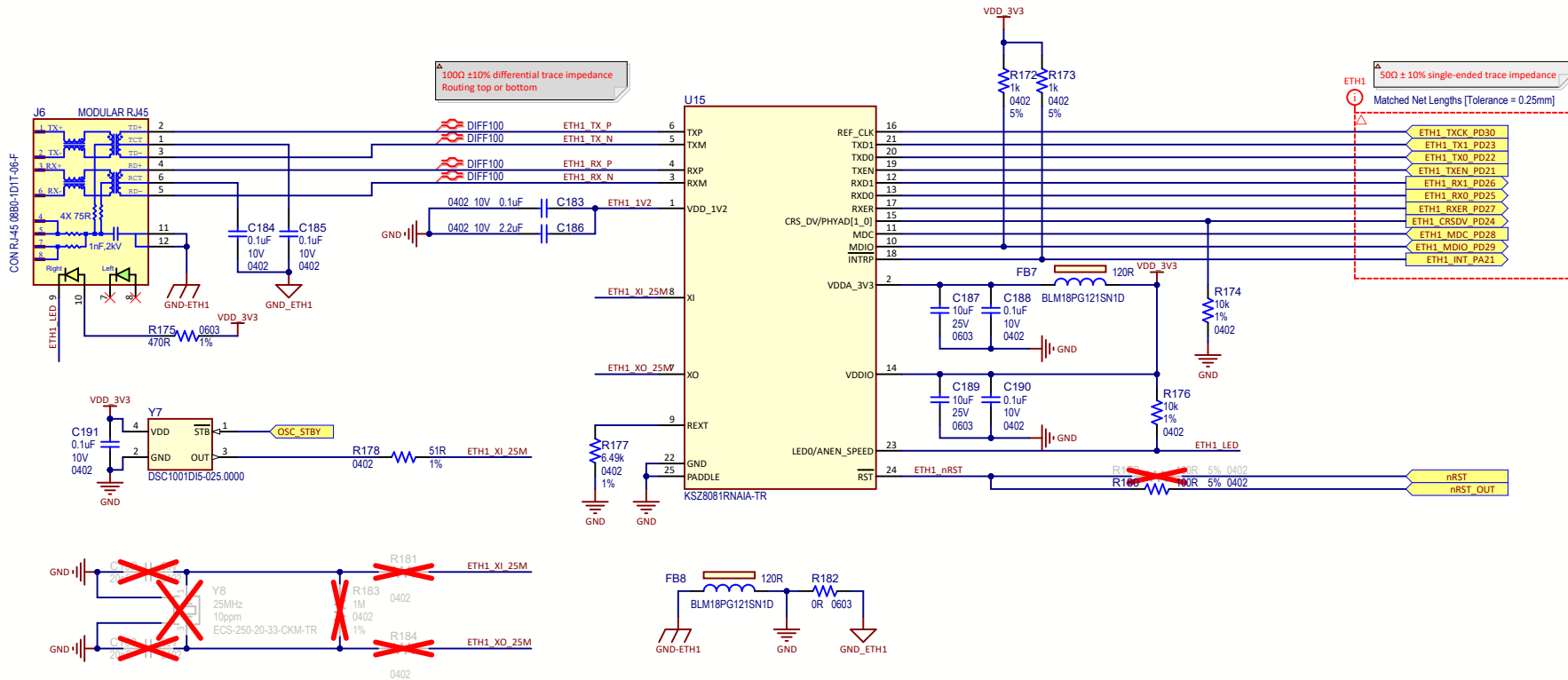


RMII ETHERNET 100Mbps TRANSCEIVER



Drawn By: CAV	
Engineer: CAV	
PartNumber: EV21H18A	Project Title SAMA7G54 Evaluation Kit
Sheet Title ETH1-100	Variant Name Standard
Size B	SCH #: 03-00038 Rev: 5 PCB #: 04-11152 Rev: 5
File: 08 - ETH1-100.SchDoc	Date: 12/22/2021 1:43:37 PM Sheet 9 of 15

Designed with
Altium
Altium.com