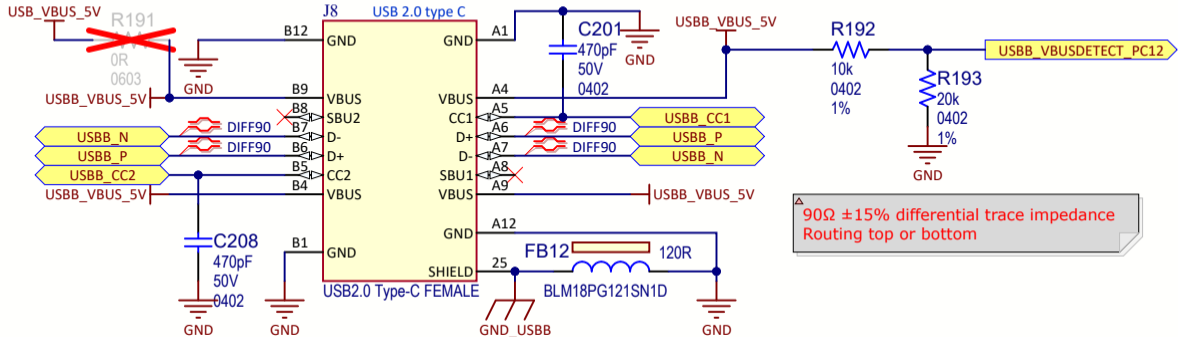


USB-C type connector to the USBB port (HOST/DEVICE)



△ 90Ω ±15% differential trace impedance
Routing top or bottom