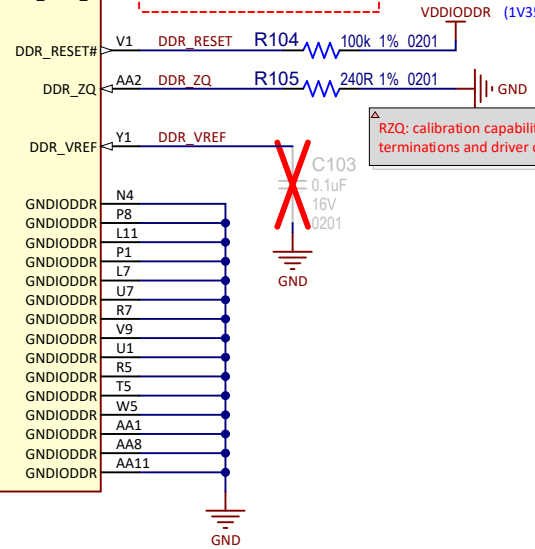
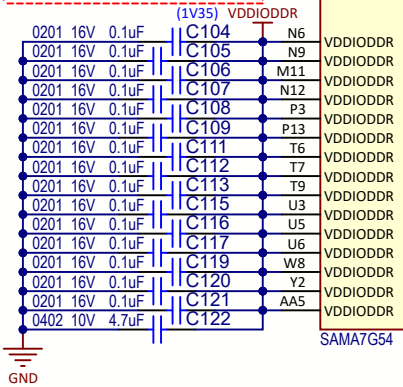
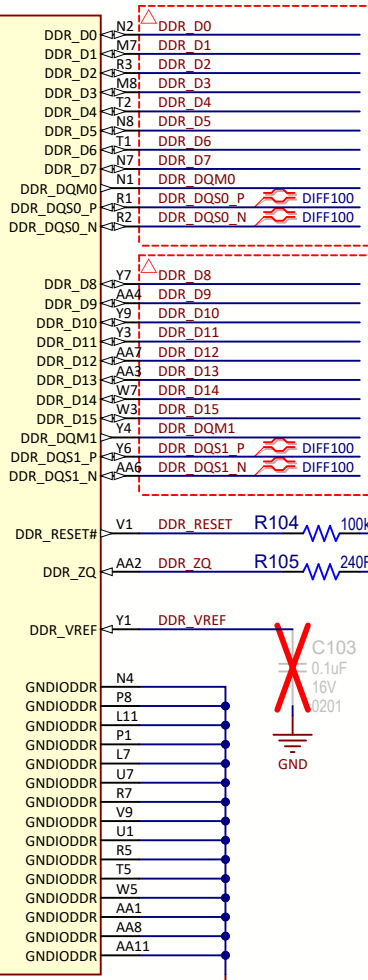
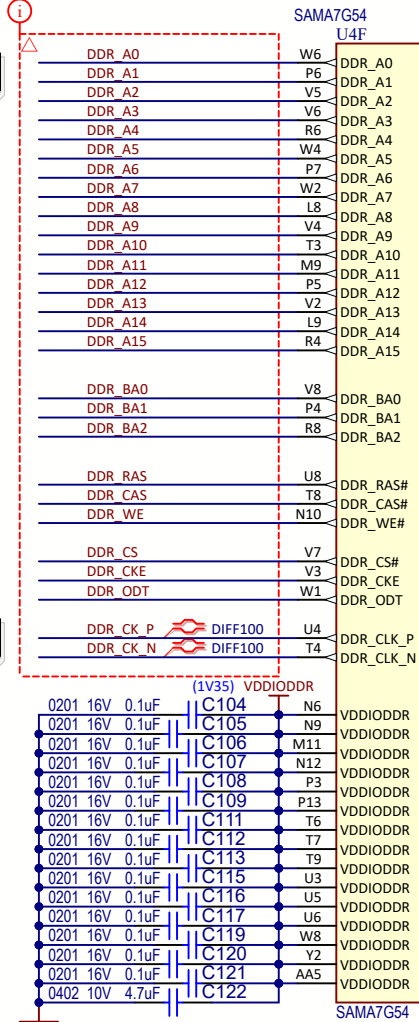


# SAMA7G5 DDR3-1066 controller

ADDR-CTL Matched Net Lengths [Tolerance = 10mil]



50Ω ± 10% single-ended trace impedance  
Routing top or bottom

LANE0 Matched Net Lengths [Tolerance = 10mil]  
50Ω ± 10% single-ended trace impedance  
Routing top or bottom

100Ω ± 10% differential trace impedance  
Routing top or bottom

LANE1 Matched Net Lengths [Tolerance = 10mil]  
50Ω ± 10% single-ended trace impedance  
Routing top or bottom

100Ω ± 10% differential trace impedance  
Routing top or bottom

100Ω ± 10% differential trace impedance  
Routing top or bottom

RZQ: calibration capability for on-die terminations and driver output impedances