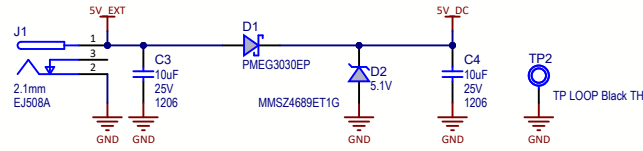
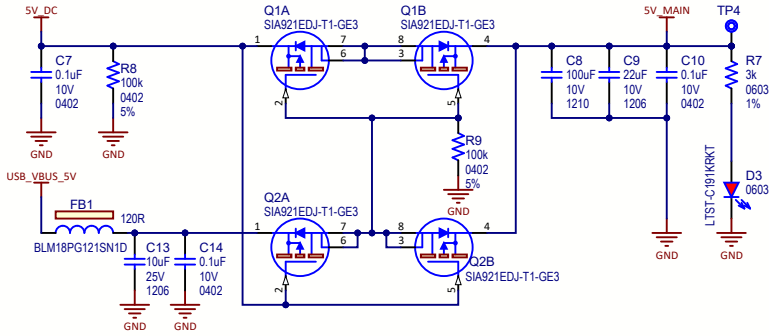


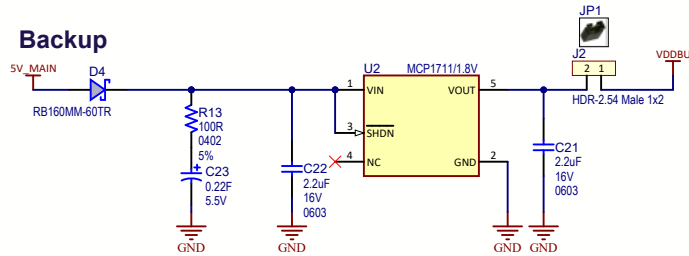
External 5V Input Power and Input Power protection



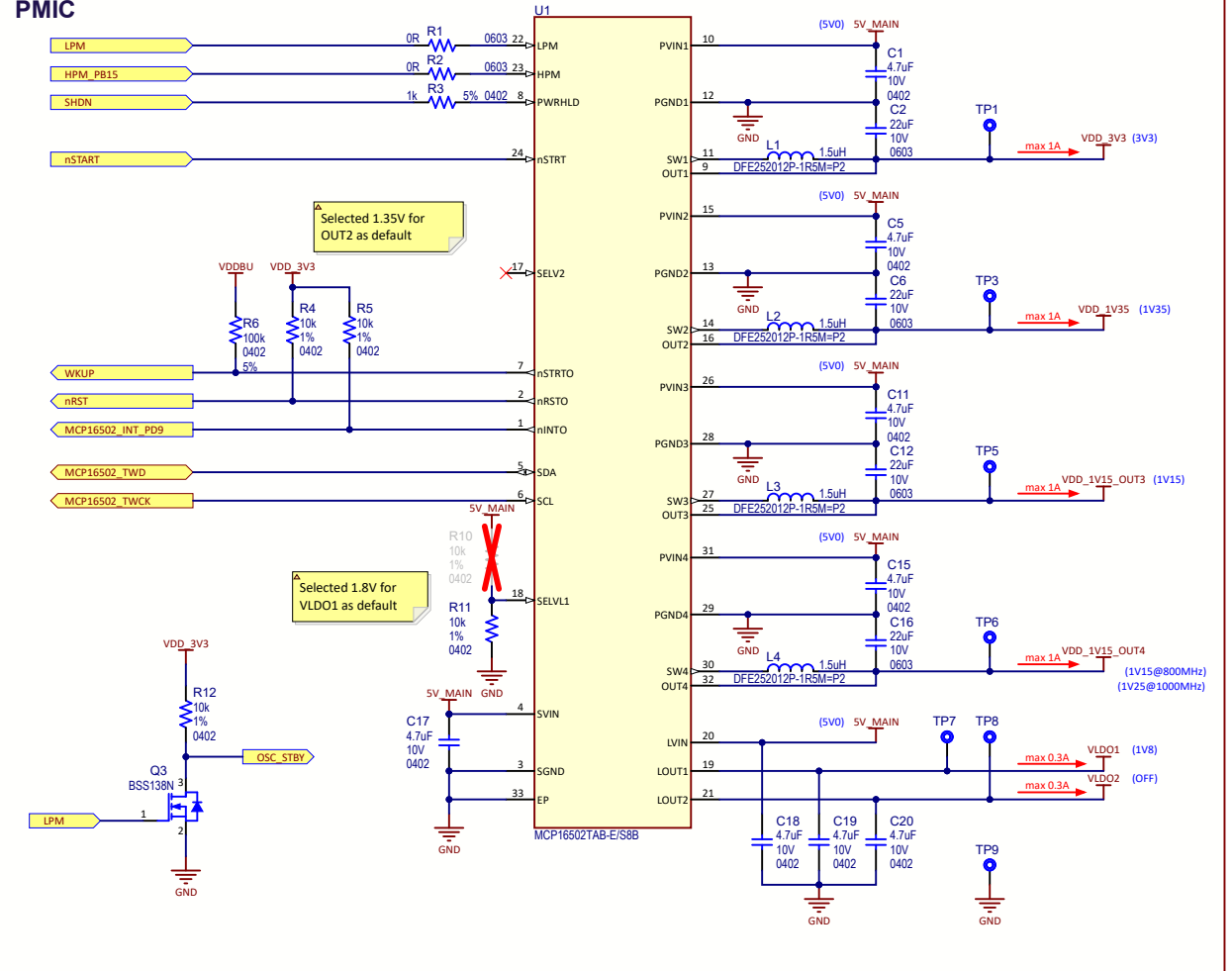
External Power Switch



Backup



PMIC



Drawn By: CAV		
Engineer: CAV		
PartNumber: EV21H18A	Project Title SAMA7G54 Evaluation Kit	
Sheet Title Power Supply	Variant Name Standard	
Size B	SCH #: 03-00038 PCB #: 04-11152	Rev: 5 Date: 12/22/2021 1:43:35 PM Sheet 2 of 15
File: 01 - Power Supply.SchDoc		Designed with