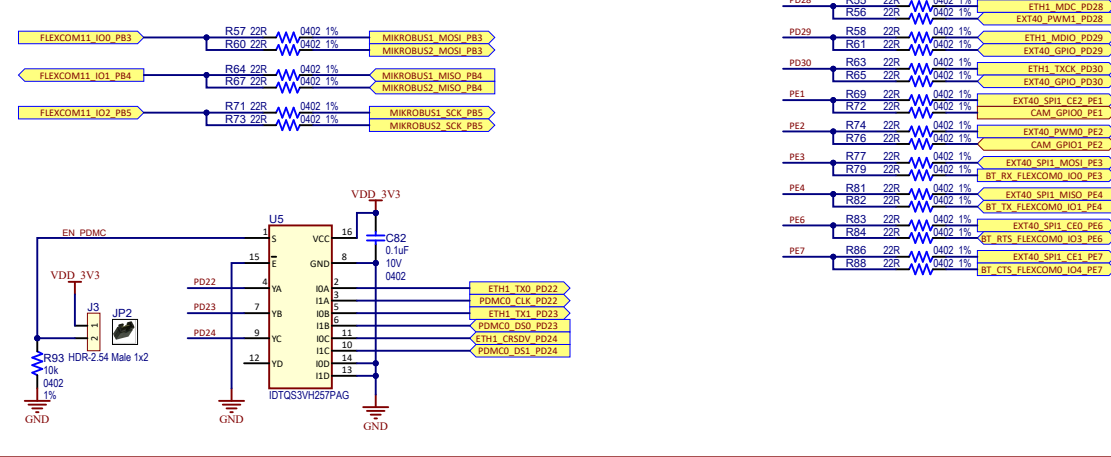
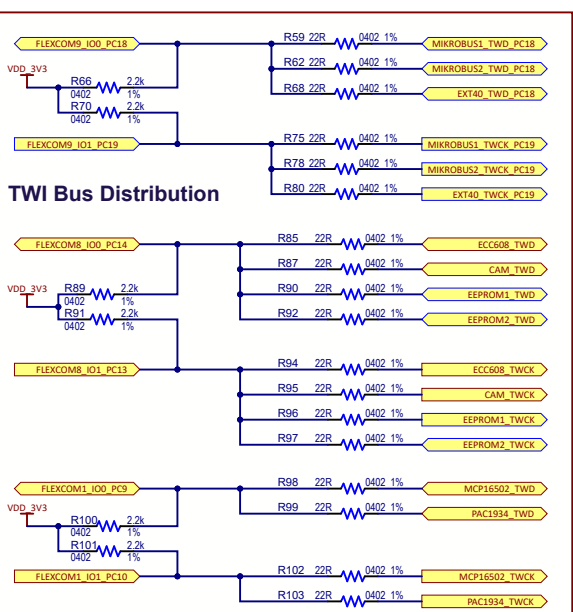
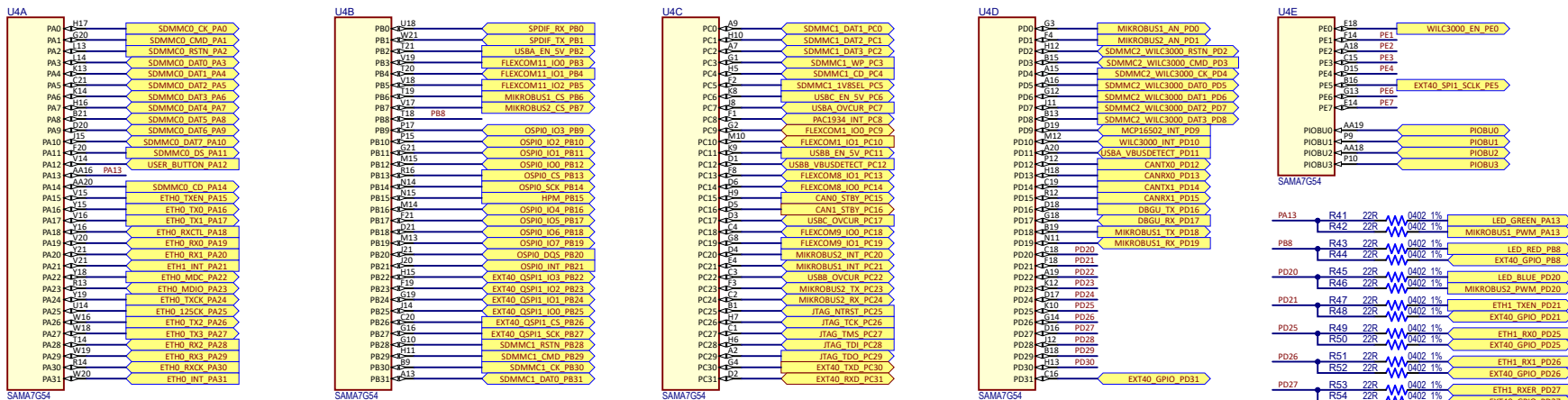


# SAMA7G5 Bus Distribution



Raspberry Pi is a trademark of Raspberry Pi Trading

Drawn By: CAV  
 Engineer: CAV  
 Part Number: SAM7G5-PIO  
 Project Title: SAMA7G54 Evaluation Kit  
 Sheet Title: Standard  
 Variant Name: Standard  
 Date: 3/1/2022 4:46:14 PM  
 Size: B  
 SCH #: 03-00038 Rev: 5  
 PCB #: 04-11152 Rev: 5  
 Sheet: 5 of 15  
 Designed with Altium