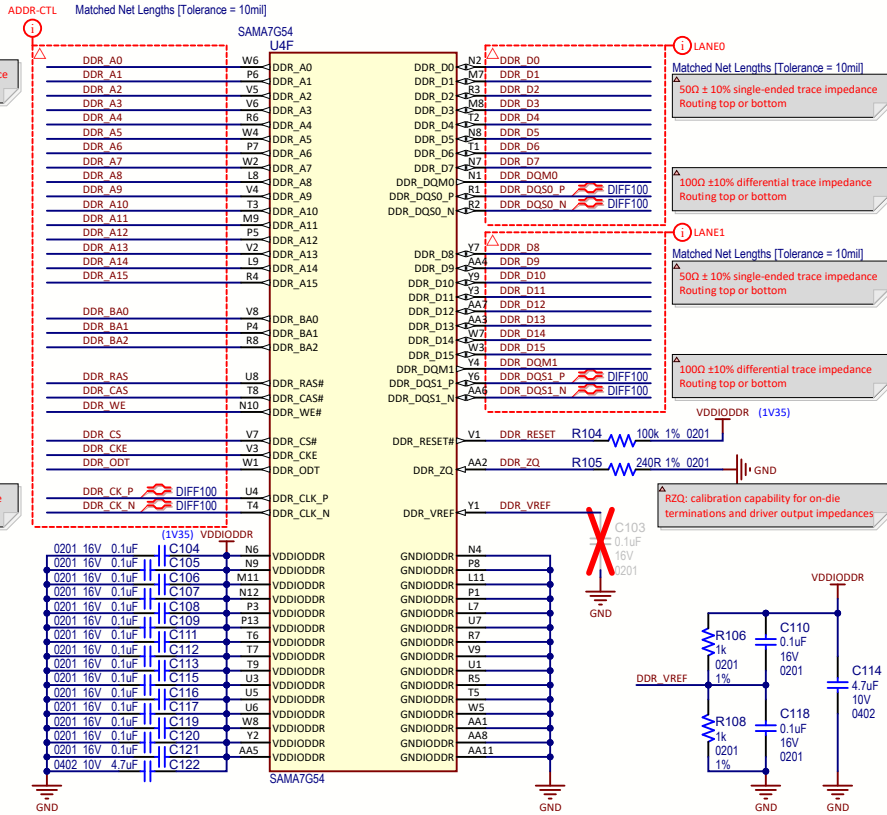
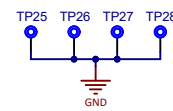
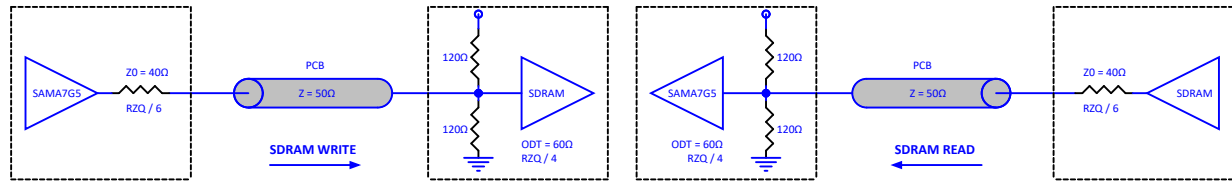
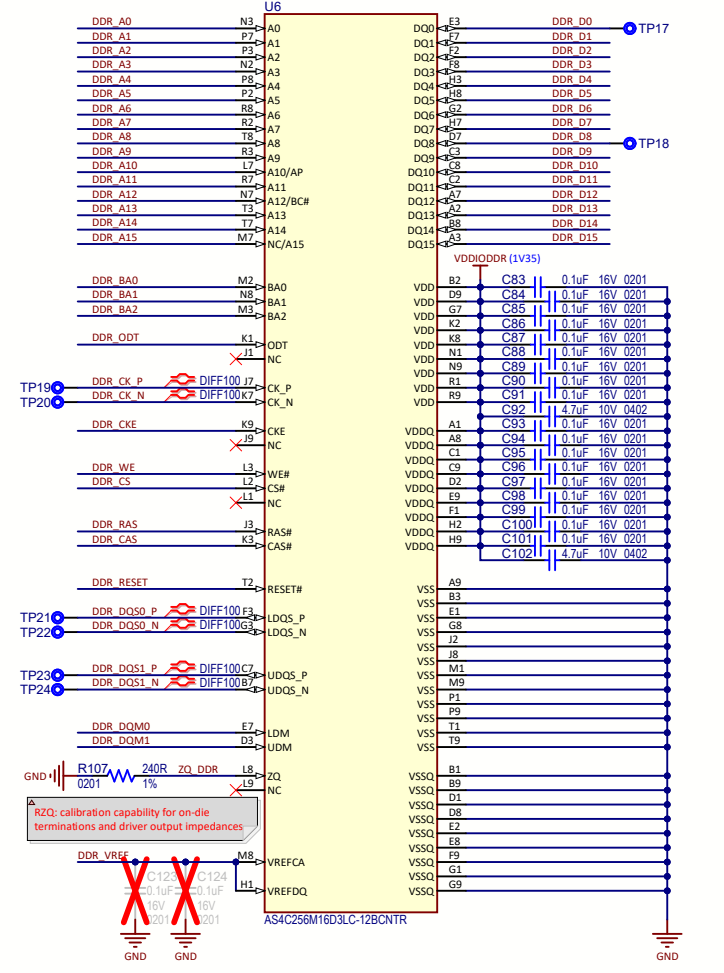


SAMA7G5 DDR3-1066 controller

50Ω ± 10% single-ended trace impedance
Routing top or bottom



4Gb DDR3L-1600 16bit



Drawn By: CAV	
Engineer: CAV	
PartNumber: EV21H18A	Project Title SAMA7G54 Evaluation Kit
Sheet Title SAMA7G5-DDR3	Variant Name Standard
Size B	SCH #: 03-00038 Rev: 5 Date: 12/22/2021 1:43:36 PM PCB #: 04-11152 Rev: 5 Sheet 6 of 15
File: 05 - SAMA7G54-DDR3.SchDoc	Designed with Altium.com