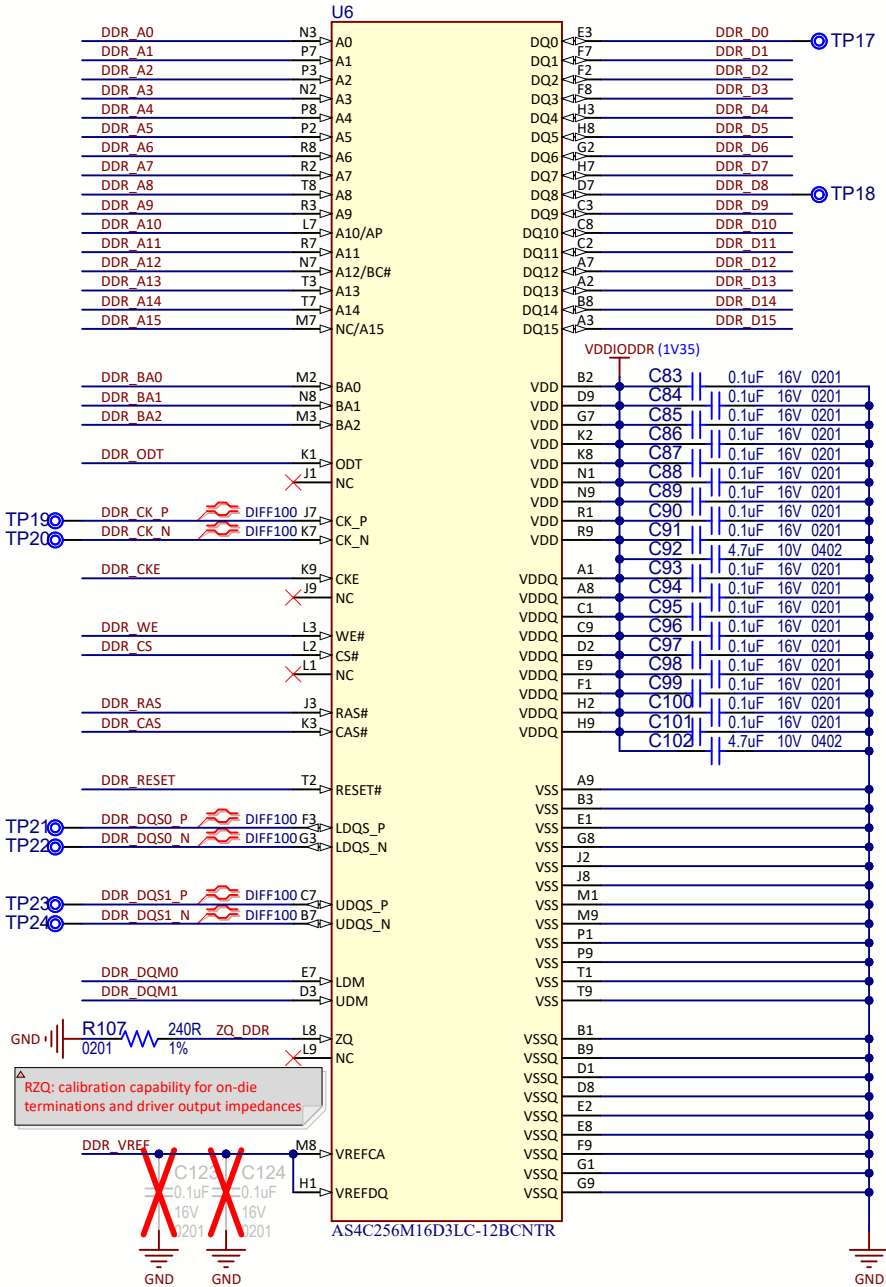


4Gb DDR3L-1600 16bit



RZQ: calibration capability for on-die terminations and driver output impedances