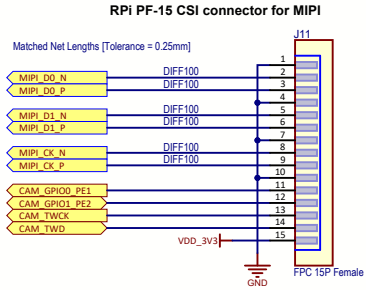
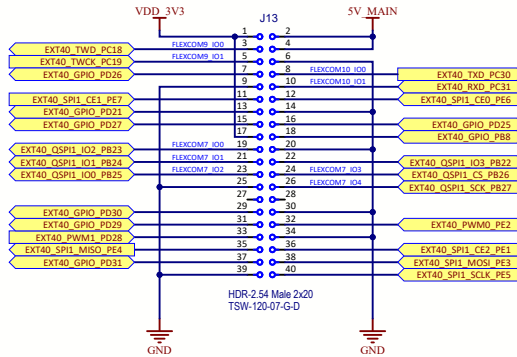


## MIPI connector

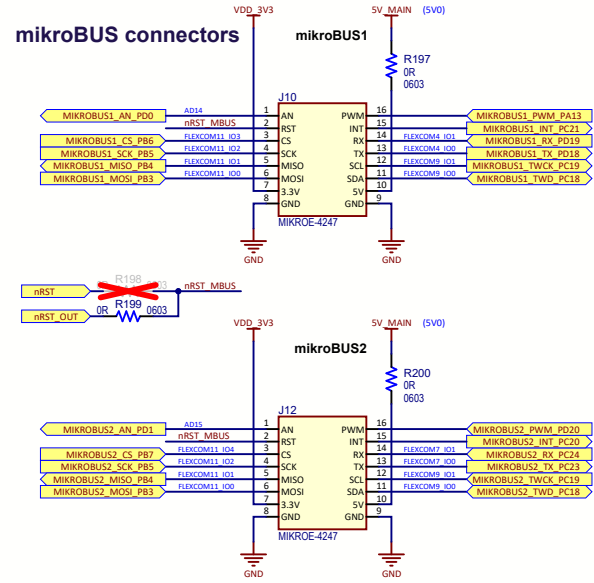


## Raspberry Pi 40-pin Connector

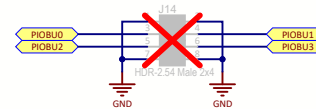


Raspberry Pi is a trademark of Raspberry Pi Trading

## mikroBUS connectors



## User available Tamper Pins



Drawn By:  
CAV  
Engineer:  
CAV

Part Number:  
EV21H18A

Sheet Title  
Expansion Connectors

Size B

SCH #: 03-00038  
PCB #: 04-11152



Project Title  
SAMA7G54 Evaluation Kit

Variant Name  
Standard

Date: 3/1/2022 4:46:15 PM

Rev: 5



Designed with Altium.com

File: 10 - Expansion Connectors.SchDoc