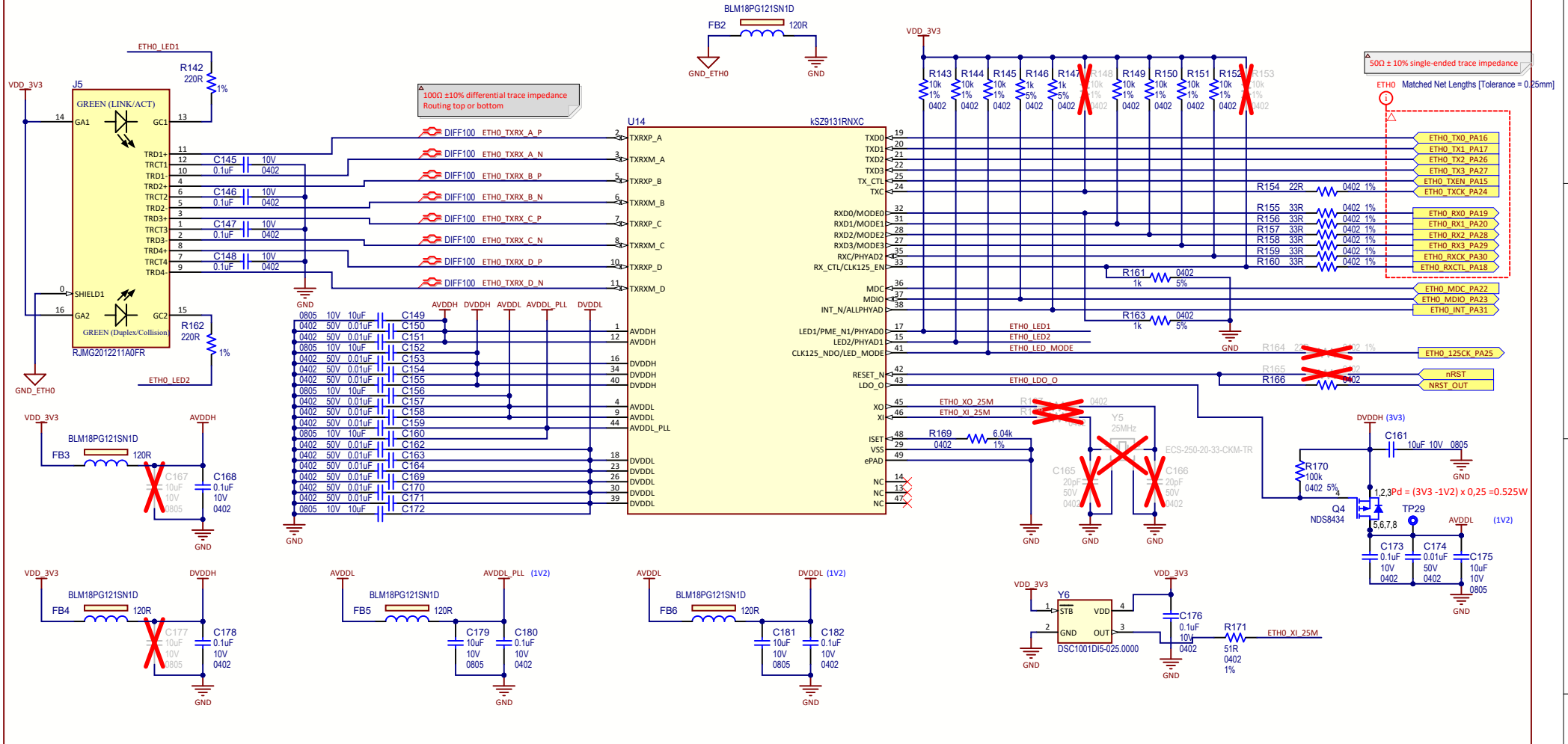


# RGMII ETHERNET 1Gbps TRANSCEIVER



Drawn By: CAV		
Engineer: CAV		
PartNumber: EV21H18A		Project Title <b>SAMA7G54 Evaluation Kit</b>
Sheet Title ETHO-1000		Variant Name Standard
Size B	SCH #: 03-00038 PCB #: 04-11152	Rev: 5 Date: 12/22/2021 1:43:36 PM Rev: 5 Sheet 8 of 15
File: 07 - ETHO-1000.schDoc		

