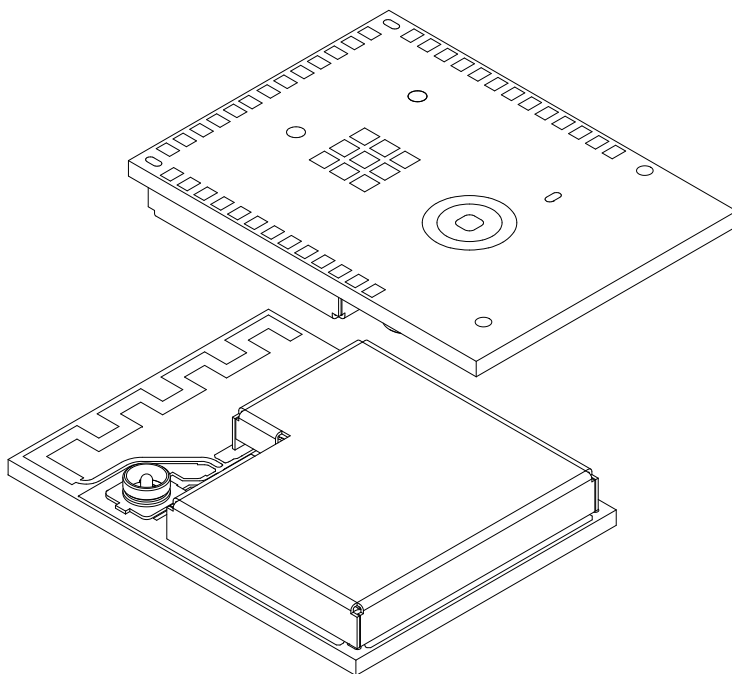


## 39-Lead Wireless Module (ZSX) - 15.5x20.7x2.8 mm Body [MODULE] With Metal Shield and Coaxial Connector

**Note:** For the most current package drawings, please see the Microchip Packaging Specification located at <http://www.microchip.com/packaging>



		Units	MILLIMETERS		
Dimension Limits			MIN	NOM	MAX
Number of Terminals	N		39		
Terminal Pitch	e		1.00 BSC		
Overall Height	A	2.60	2.80	3.00	
PCB Thickness	A2	0.70	0.80	0.90	
Shield Height	A3	1.90	2.00	2.10	
UFL Connector Height	A4		1.25 REF		
Overall Length	D	15.40	15.50	15.60	
Overall Width	E	20.60	20.70	20.80	
Shield Length	D1	14.60	14.70	14.80	
Shield Length	D2	7.99	8.09	8.19	
Shield Width	E1	14.28	14.38	14.48	
Shield Width	E2	11.58	11.68	11.78	
Terminal Width	b	0.50	0.60	0.70	
Terminal Length	L	0.70	0.80	0.90	