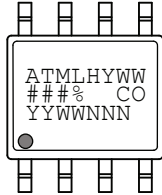

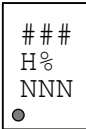



# AT34C02D: Package Marking Information

<p>8-lead SOIC</p> 	<p>8-lead TSSOP</p> 
<p>8-pad UDFN</p> <p>2.0 x 3.0 mm Body</p> 	<p>8-ball VFBGA</p> <p>1.5 x 2.0 mm Body</p> 

Note 1: ● designates pin 1

Note 2: Package drawings are not to scale

<b>Catalog Number Truncation</b>		
AT34C02D <span style="float: right;">Truncation Code ##: 34D</span>		
<b>Date Codes</b>		<b>Voltages</b>
<p>Y = Year code (last digit of calendar year)</p> <p>YY = Year code (last 2 digits of calendar year)</p> <p>WW = Week code (week of January 1 is week '01')</p>		<p>% = Minimum Voltage</p> <p>M: 1.7V min</p>
<b>Country of Origin</b>	<b>Device Grade</b>	<b>Atmel Truncation</b>
CO = Country of Origin	H or U: Industrial Grade	<p>AT: Atmel</p> <p>ATM: Atmel</p> <p>ATML: Atmel</p>
<b>Trace Code</b>		
NNN = Alphanumeric Trace Code (2 Characters for Small Packages)		