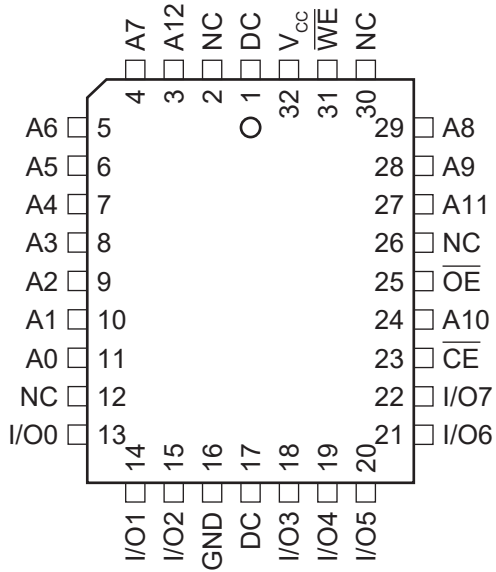


32-Lead PLCC

Top View



28-Lead SOIC

Top View

