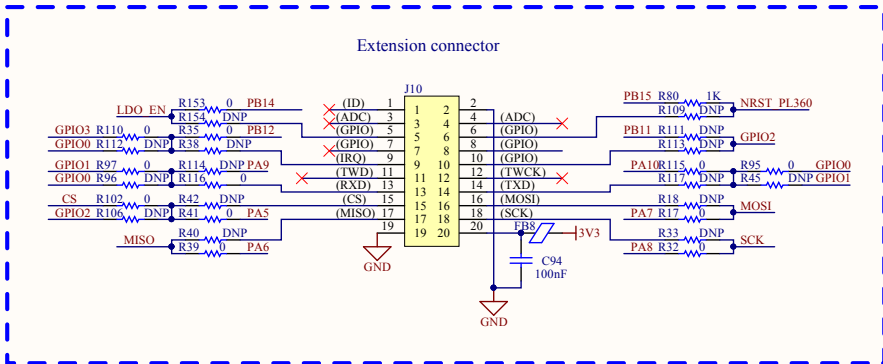
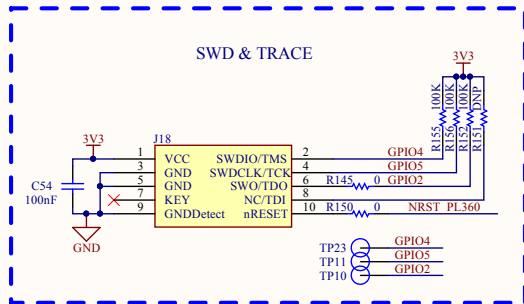
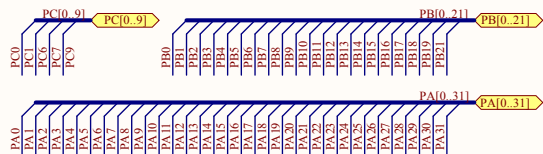


# Peripherals PL360



- TP28: MISO
- TP29: MOSI
- TP31: SCK
- TP42: CS



v1	First Revision		22/01/2018	R.N.
Rev	Description		Date	Author
File date	22/01/2018	Sheet 8 of 9		
Author	A.R.	Project	PL360MB v1	
Verified	R.N.	File	Peripherals_PL360.SchDoc	Code number: PL360MB
TITLE	Peripherals PL360			