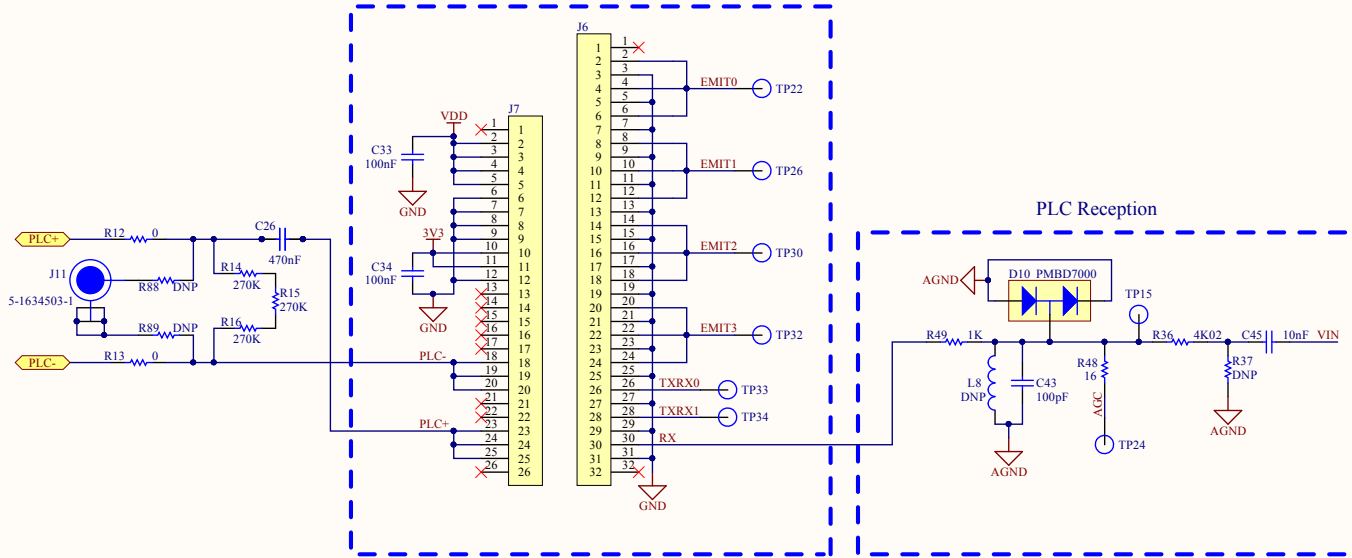



# PLC Coupling

PLCOUPxxx Board



v1	First Revision		22/01/2018	R.N.
Rev	Description		Date	Author
File date	22/01/2018	Sheet 9 of 9		 <b>MICROCHIP</b>
Author	A.R.	Project	PL360MB v1	
Verified	R.N.	File	PLC_Coupling.SchDoc	
TITLE	PLC Coupling			Code number: PL360MB