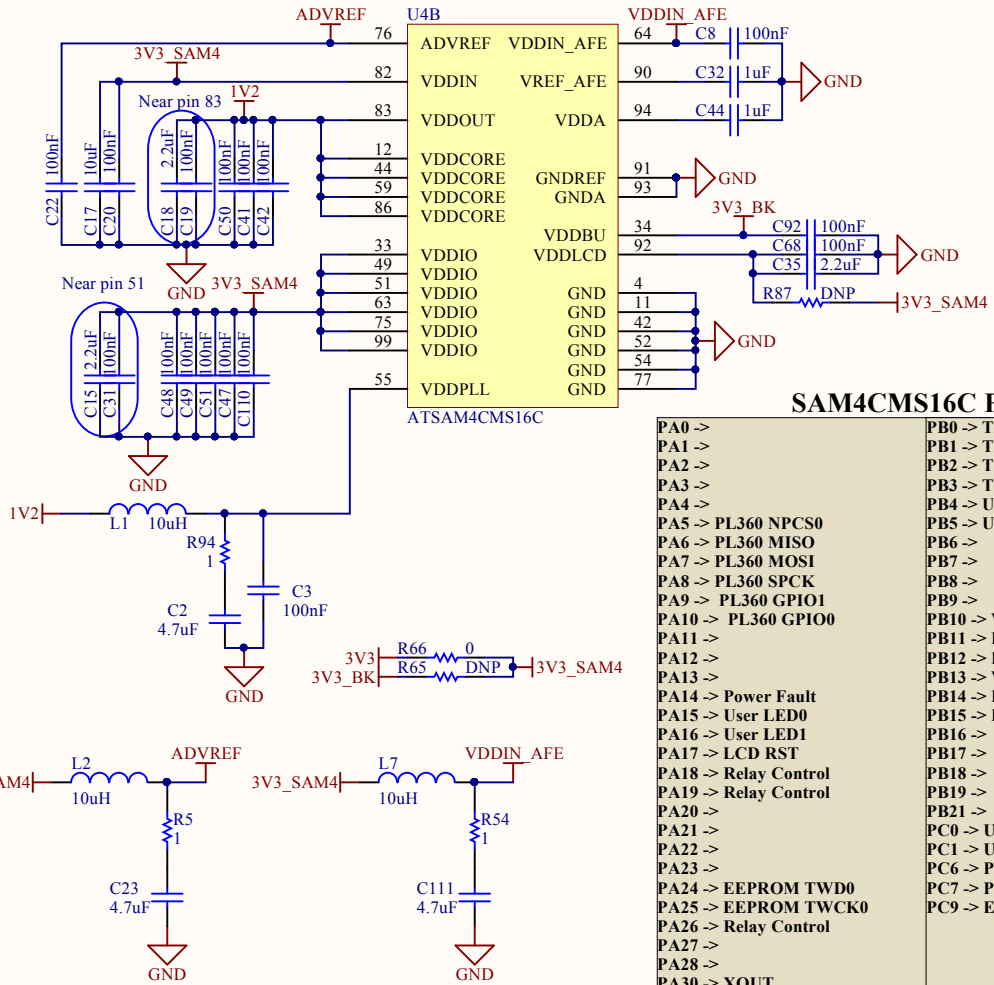
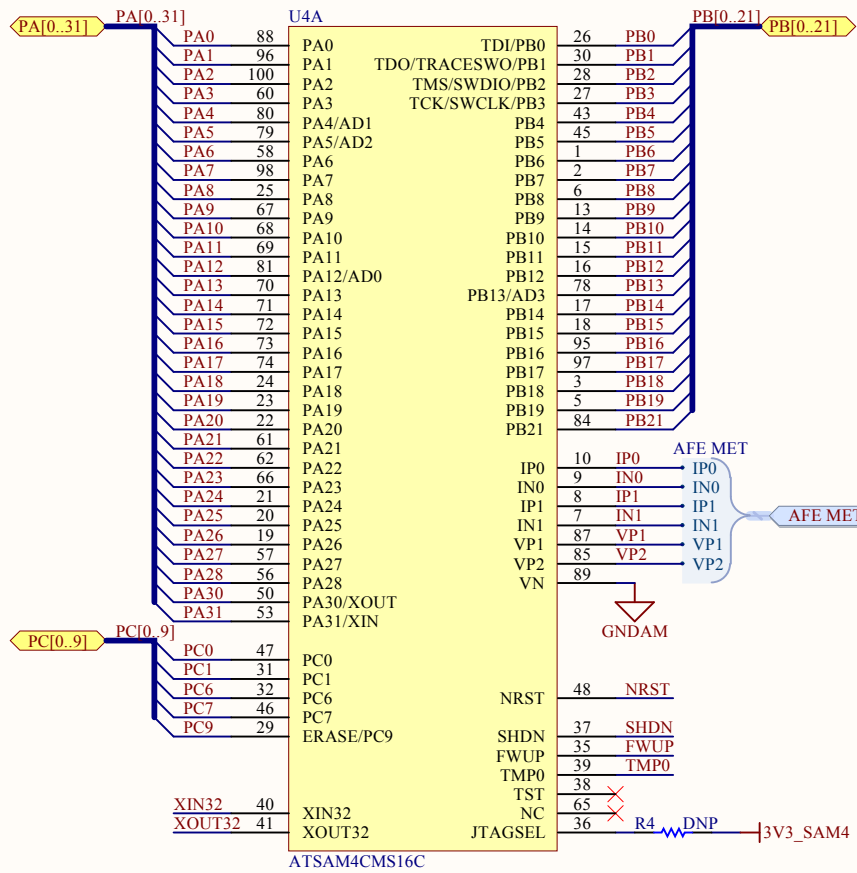
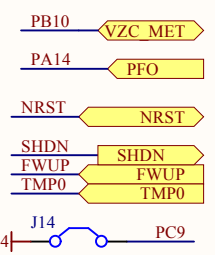
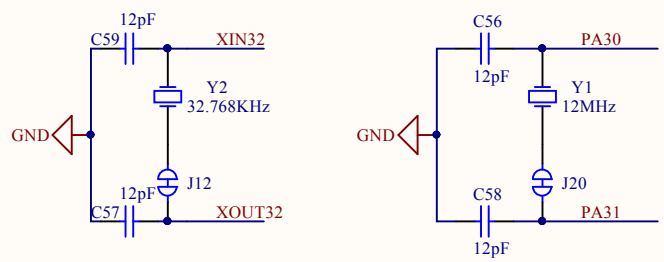


# SAM4CMS16C



## SAM4CMS16C PINOUT

PA0 ->	PB0 -> TDI
PA1 ->	PB1 -> TDO
PA2 ->	PB2 -> TMS
PA3 ->	PB3 -> TCK
PA4 ->	PB4 -> UART0 RX
PA5 -> PL360 NPCS0	PB5 -> UART0 TX
PA6 -> PL360 MISO	PB6 ->
PA7 -> PL360 MOSI	PB7 ->
PA8 -> PL360 SPCK	PB8 ->
PA9 -> PL360 GPIO1	PB9 ->
PA10 -> PL360 GPIO0	PB10 -> VZC
PA11 ->	PB11 -> PL360 GPIO2
PA12 ->	PB12 -> PL360 GPIO3
PA13 ->	PB13 -> VDD Supply Monitor
PA14 -> Power Fault	PB14 -> PL360 LDO_EN
PA15 -> User LED0	PB15 -> PL360 NRST
PA16 -> User LED1	PB16 ->
PA17 -> LCD RST	PB17 ->
PA18 -> Relay Control	PB18 ->
PA19 -> Relay Control	PB19 ->
PA20 ->	PB20 ->
PA21 ->	PB21 ->
PA22 ->	PC0 -> UART1 TX
PA23 ->	PC1 -> UART1 RX
PA24 -> EEPROM TWD0	PC6 -> Pulse Output
PA25 -> EEPROM TWCK0	PC7 -> Pulse Output
PA26 -> Relay Control	PC9 -> ERASE
PA27 ->	
PA28 ->	
PA30 -> XOUT	
PA31 -> XIN / CLKIN	



v1	First Revision	22/01/2018	R.N.
Rev	Description	Date	Author
File date	22/01/2018	Sheet 3 of 9	
Author	A.R.	Project	PL360MB v1
Verified	R.N.	File	SAM4CMS.SchDoc
TITLE	SAM4CMS		Code number: PL360MB