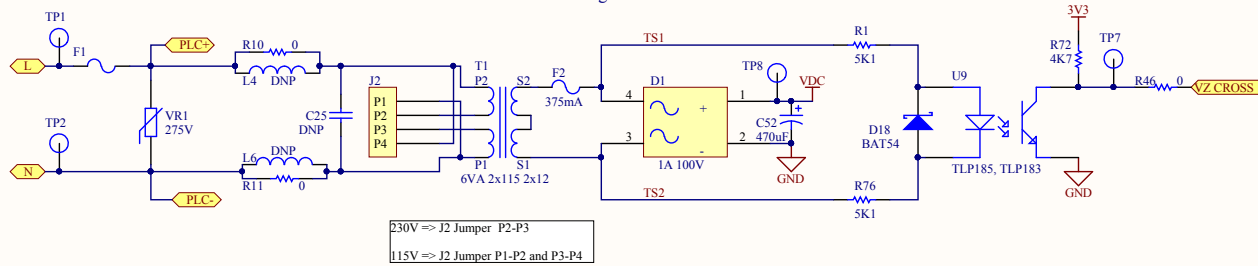
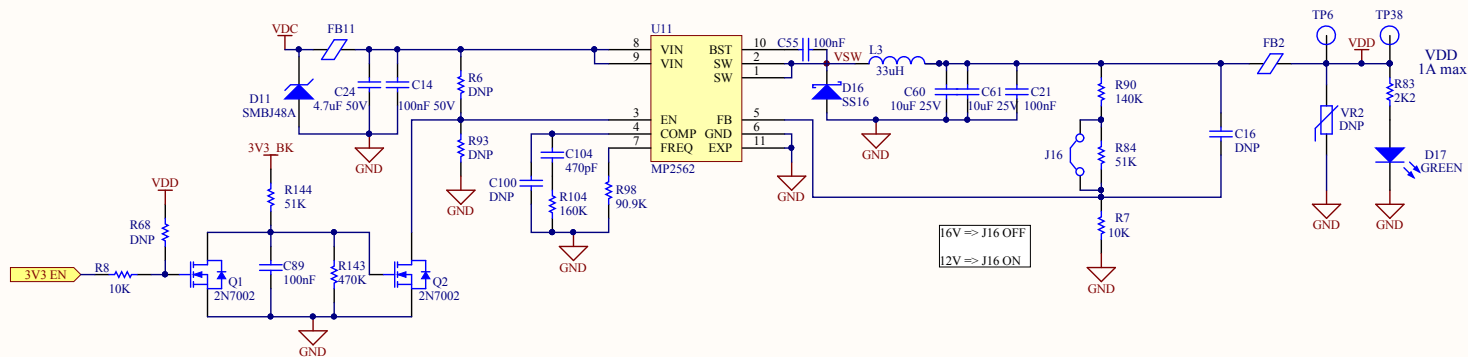


Power Supply

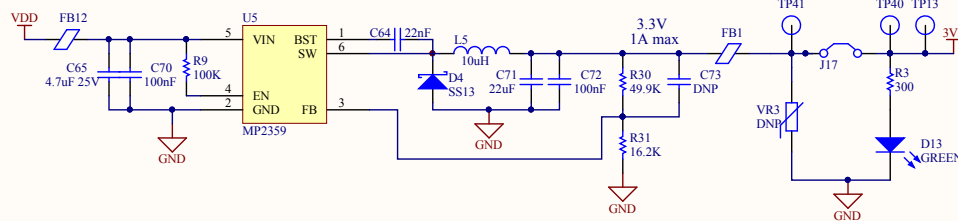
Linear AC/DC and Voltage Zero Cross



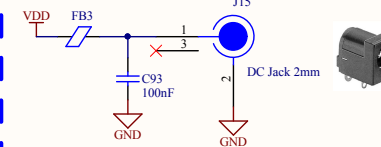
VDD buck converter with shut-down control



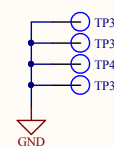
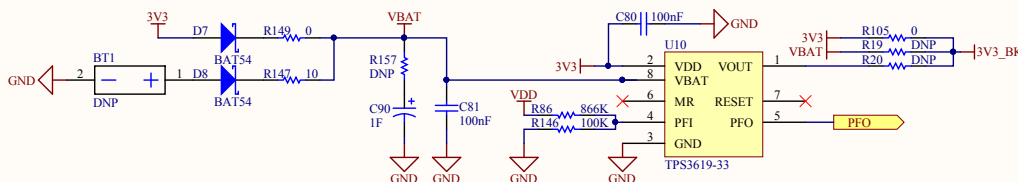
3V3 buck converter



External VDD



Back-up 3V3



Rev	Description	Date	Author
v1	First Revision	22/01/2018	R.N.
File date	22/01/2018	Sheet 2 of 9	
Author	A.R.	Project	PL360MB v1
Verified	R.N.	File	Power_Supply.SchDoc
TITLE			Power Supply
Code number:			PL360MB

