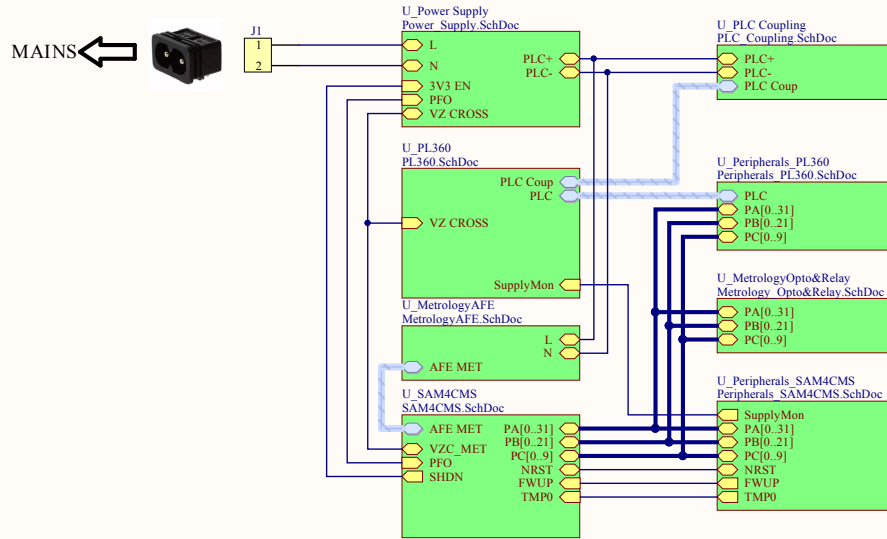
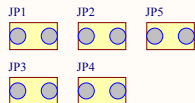


PL360MB



JUMPERS CONFIGURATION

PAGE	DESIGNATOR	DEFAULT	FUNCTION
2	J2	230VAC position	115/230VAC Mains selection
2	J14	Open	SAM4CMS16C Flash memory erase
2	J16	Closed	Vdd Voltage selection (12V)
6	J17	Closed	3V3 Current measurement



Rev	Description	Date	R.N.	Author
v1	First Revision	22/01/2018		
File date	22/01/2018	Sheet 1 of 9		
Author	A.R.	Project	PL360MB v1	
Verified	R.N.	File	Main.SchDoc	
TITLE	Main			Code number: PL360MB