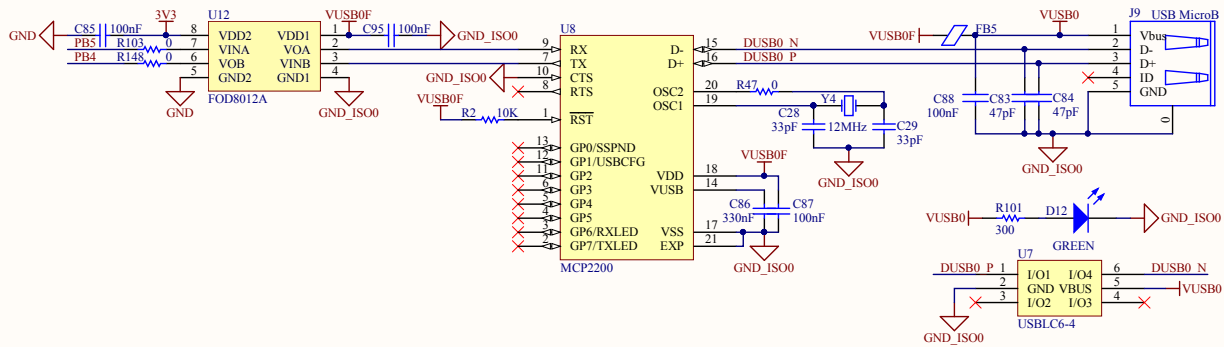
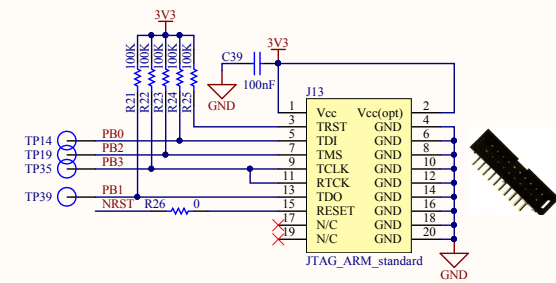


Peripherals SAM4CMS

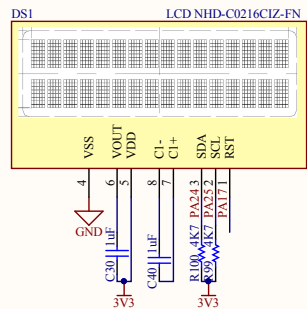
Isolated UART with USB bridge



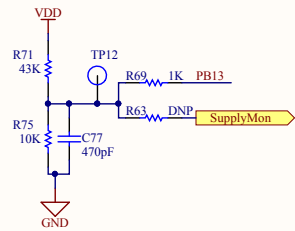
JTAG/SWD



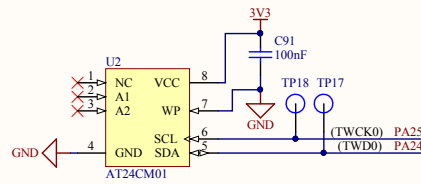
Display



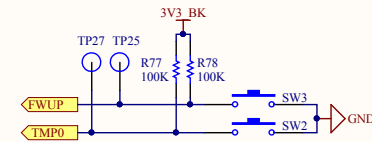
Supply Monitor



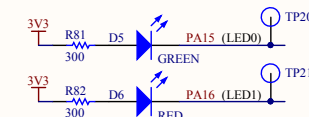
EEPROM



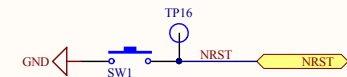
Tamper & Force Wake-up



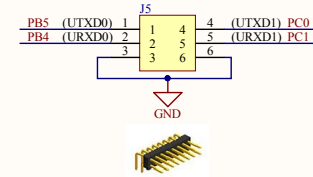
User LEDs



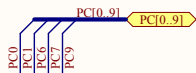
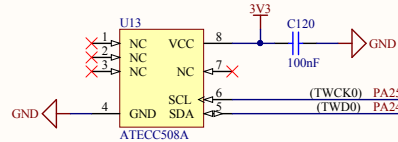
Reset



Non-Insulated UARTs



CryptoAuthentication



Rev	Description	Date	R.N.
v1	First Revision	22/01/2018	R.N.
File date	22/01/2018	Sheet 6 of 9	
Author	A.R.	Project	PL360MB v1
Verified	R.N.	File	Peripherals_SAM4CMS.Sch
TITLE	Peripherals SAM4CMS		Code number: PL360MB

