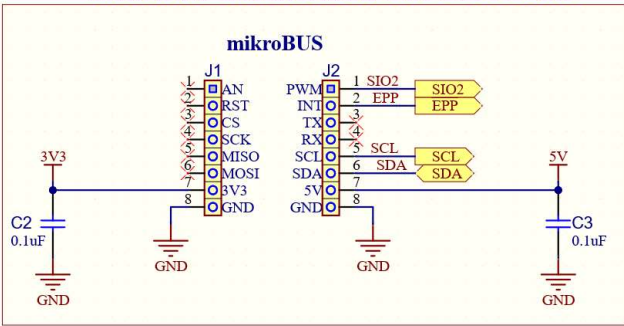
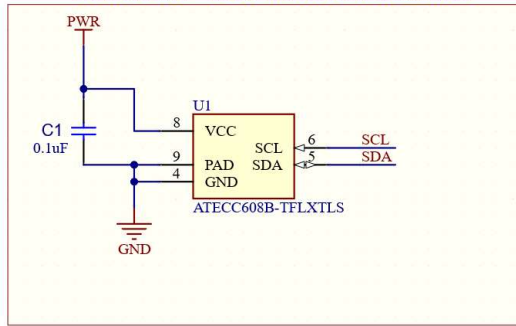


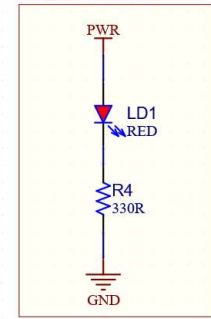
mikroBUS INTERFACE CONNECTORS



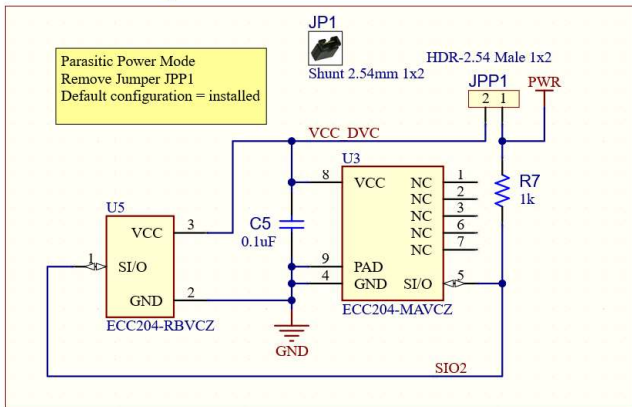
Host Side - ECC608B connections



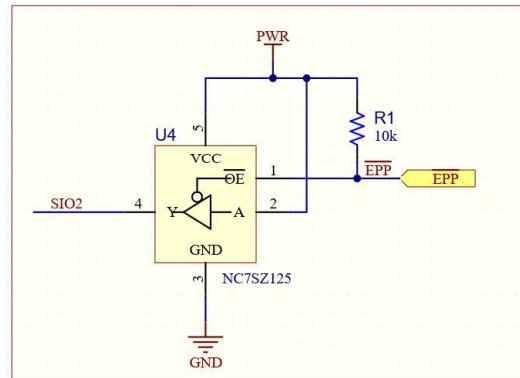
Power LED



Accessory Side - ECC204 SWI connections

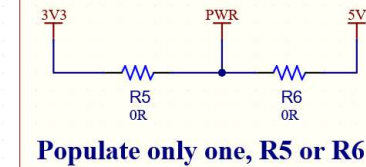


Parasitic Power Boost



Voltage Selection

(3.3V Default)



Accessory Side - ECC204 I2C connections

