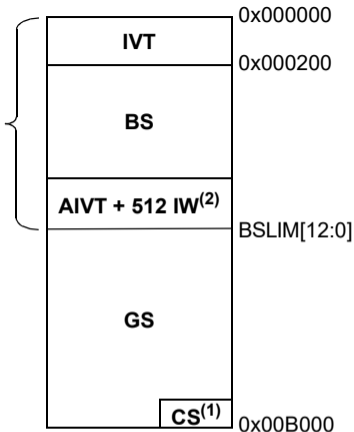


IVT and AIVT
Assume
BS Protection



- Note 1:** If CS is write-protected, the last page (GS + CS) of program memory will be protected from an erase condition.
- Note 2:** The last half (256 IW) of the last page of BS is unusable program memory.