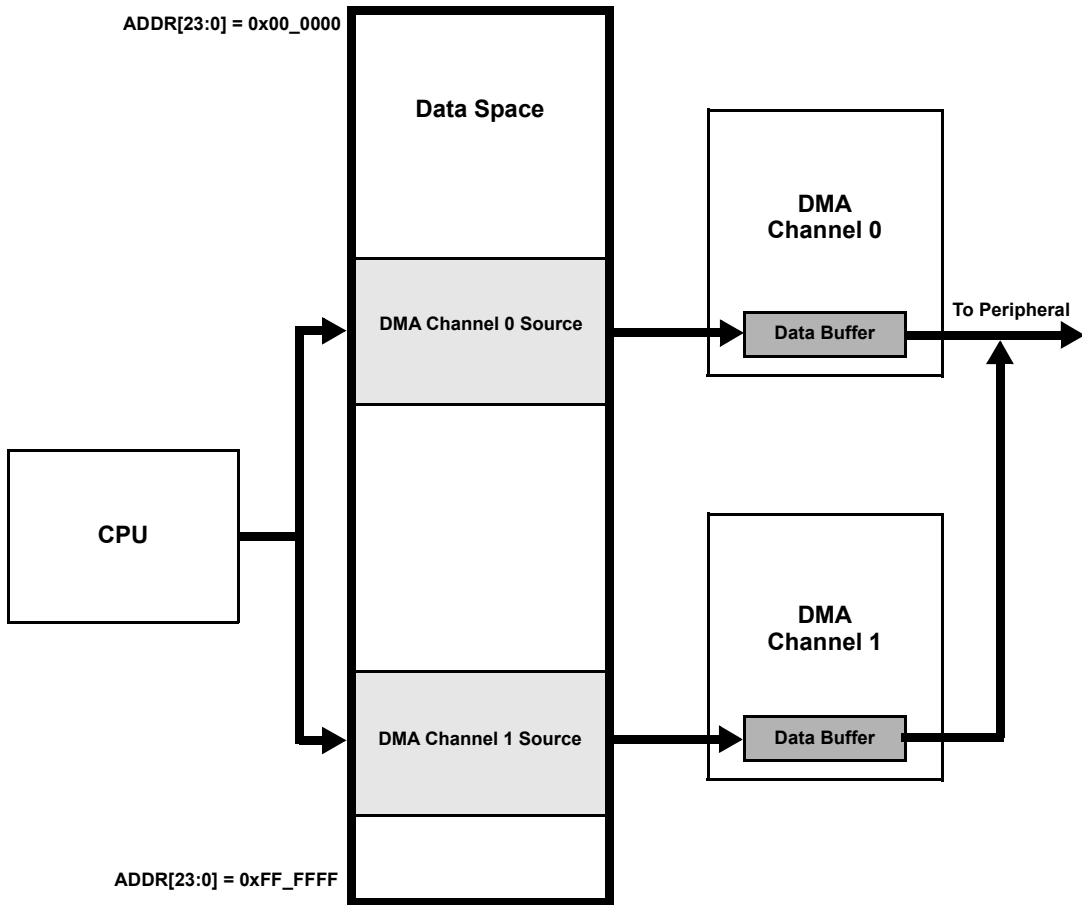


ADDR[23:0] = 0x00_0000



Data Space

DMA Channel 0

DMA Channel 0 Source

Data Buffer

To Peripheral

CPU

DMA Channel 1

DMA Channel 1 Source

Data Buffer

ADDR[23:0] = 0xFF_FFFF