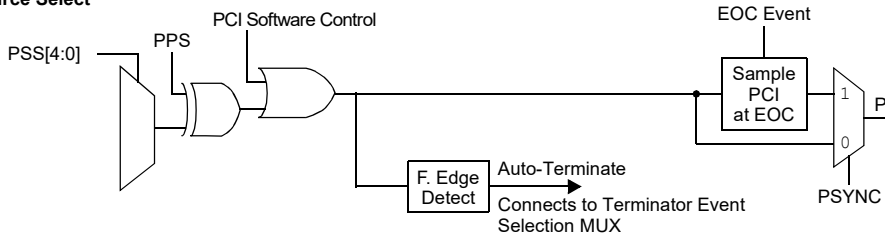
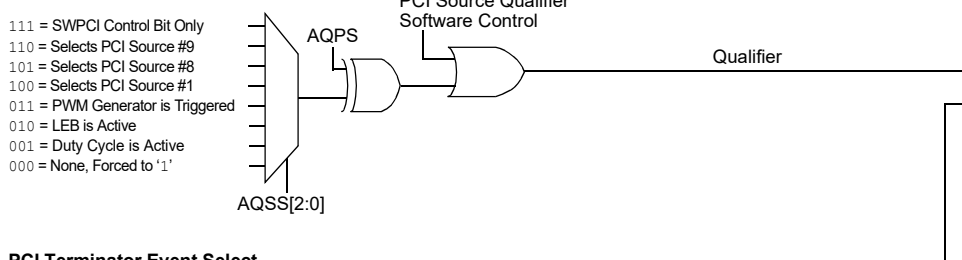


PCI Source Select



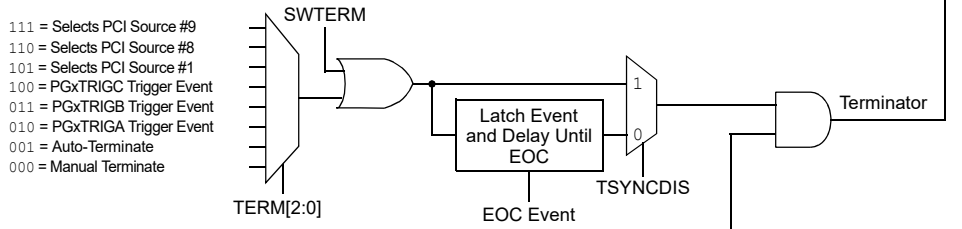
PCI Source Qualifier Select

- 111 = SWPCI Control Bit Only
- 110 = Selects PCI Source #9
- 101 = Selects PCI Source #8
- 100 = Selects PCI Source #1
- 011 = PWM Generator is Triggered
- 010 = LEB is Active
- 001 = Duty Cycle is Active
- 000 = None, Forced to '1'



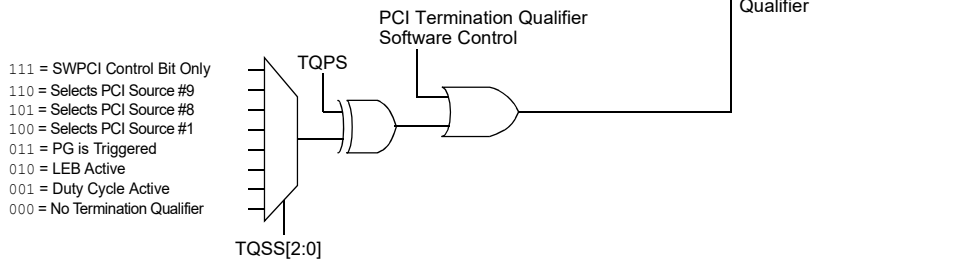
PCI Terminator Event Select

- 111 = Selects PCI Source #9
- 110 = Selects PCI Source #8
- 101 = Selects PCI Source #1
- 100 = PGxTRIGC Trigger Event
- 011 = PGxTRIGB Trigger Event
- 010 = PGxTRIGA Trigger Event
- 001 = Auto-Terminate
- 000 = Manual Terminate

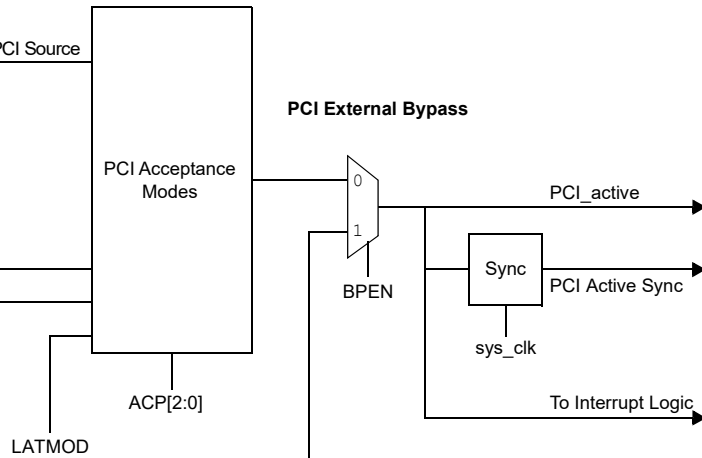


PCI Termination Qualifier Select

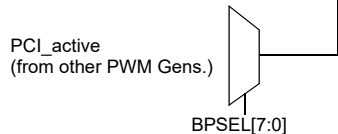
- 111 = SWPCI Control Bit Only
- 110 = Selects PCI Source #9
- 101 = Selects PCI Source #8
- 100 = Selects PCI Source #1
- 011 = PG is Triggered
- 010 = LEB Active
- 001 = Duty Cycle Active
- 000 = No Termination Qualifier



PCI Acceptance Logic



External PCI Signal Select



Software PCI Control Bit Assignment

