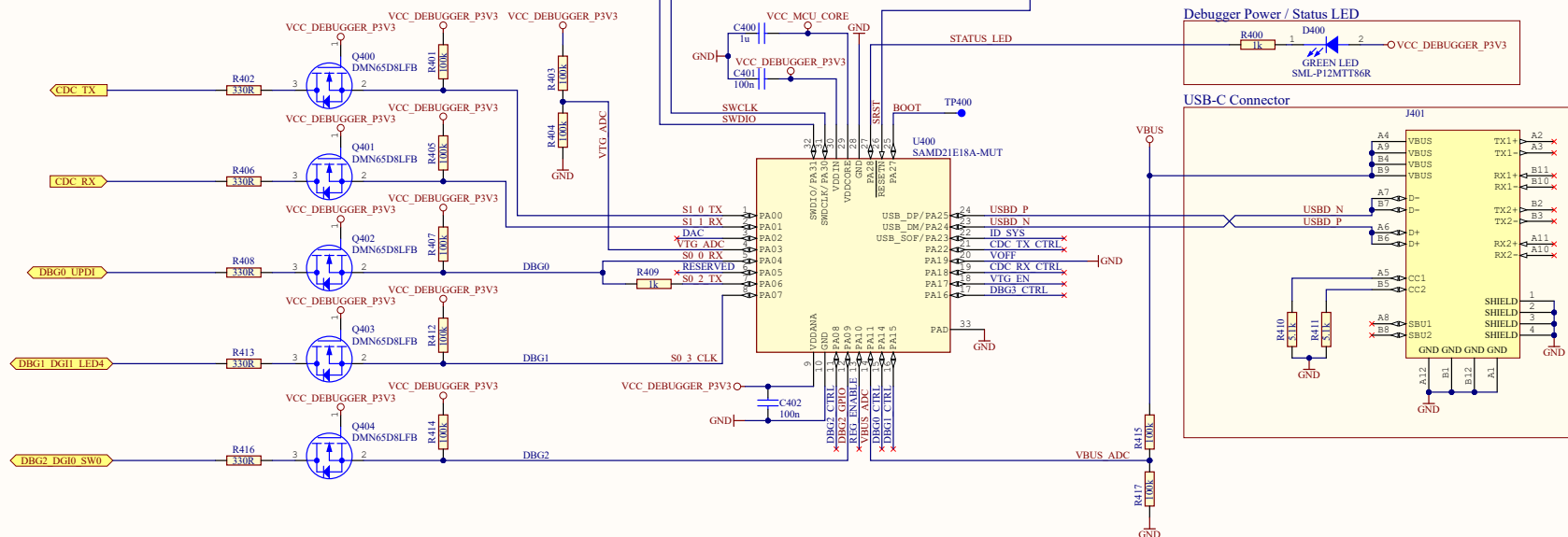
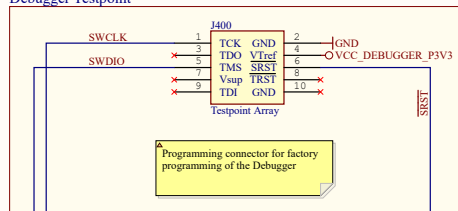


Interface	UPDI TARGET
CDC TX	UART RX
CDC RX	UART TX
DBG0	UPDI
DBG1	GPIO
DBG2	GPIO
DBG3	(RESET)
VCC	-

DEBUGGER

Debugger Testpoint



Drawn By: PB		
Engineer: PB, ST, TF, AH		
Project Title AVR-IoT Cellular Mini		
Sheet Title Debugger		
Size A3	PCB Assembly Number: A09-3437	PCBA Revision: 6
	PCB Number: A08-3135	PCB Revision: 2
File: AVR-IoT-Cellular-Mini-Debugger-SchDoc		Date: 2022-05-04 Page: 5 of 6