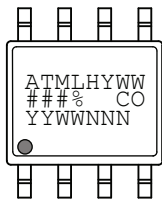
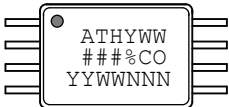
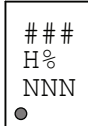
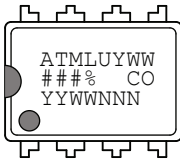
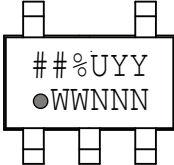
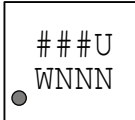


AT24C08D: Package Marking Information

<p>8-lead SOIC</p>  <p>ATMLHYWW ###% CO YYWWNNN</p>	<p>8-lead TSSOP</p>  <p>ATHYWW ###%CO YYWWNNN</p>	<p>8-pad UDFN</p> <p>2.0 x 3.0 mm Body</p>  <p>### H% NNN</p>
<p>8-lead PDIP</p>  <p>ATMLUYWW ###% CO YYWWNNN</p>	<p>5-lead SOT23</p>  <p>##%UYY ●WWNNN</p>	<p>8-ball VFBGA</p> <p>1.5 x 2.0 mm Body</p>  <p>###U WNNN</p>

Note 1: ● designates pin 1

Note 2: Package drawings are not to scale

Note 3: For SOT23 package with date codes before 7B, the bottom line (YMX) is marked on the bottom side and there is no Country of Assembly (@) mark on the top line.

Catalog Number Truncation				
AT24C08D		Truncation Code ###: 08D / ##: 8D		
Date Codes			Voltages	
YY = Year	Y = Year	WW = Work Week of Assembly	% = Minimum Voltage	
16: 2016	20: 2020	6: 2016	0: 2020	02: Week 2
17: 2017	21: 2021	7: 2017	1: 2021	04: Week 4
18: 2018	22: 2022	8: 2018	2: 2022	...
19: 2019	23: 2023	9: 2019	3: 2023	52: Week 52
Country of Origin		Device Grade		Atmel Truncation
CO = Country of Origin		H or U: Industrial Grade		AT: Atmel ATM: Atmel ATML: Atmel
Trace Code				
NNN = Alphanumeric Trace Code (2 Characters for Small Packages)				