

(44, 38) INPUT/OE1

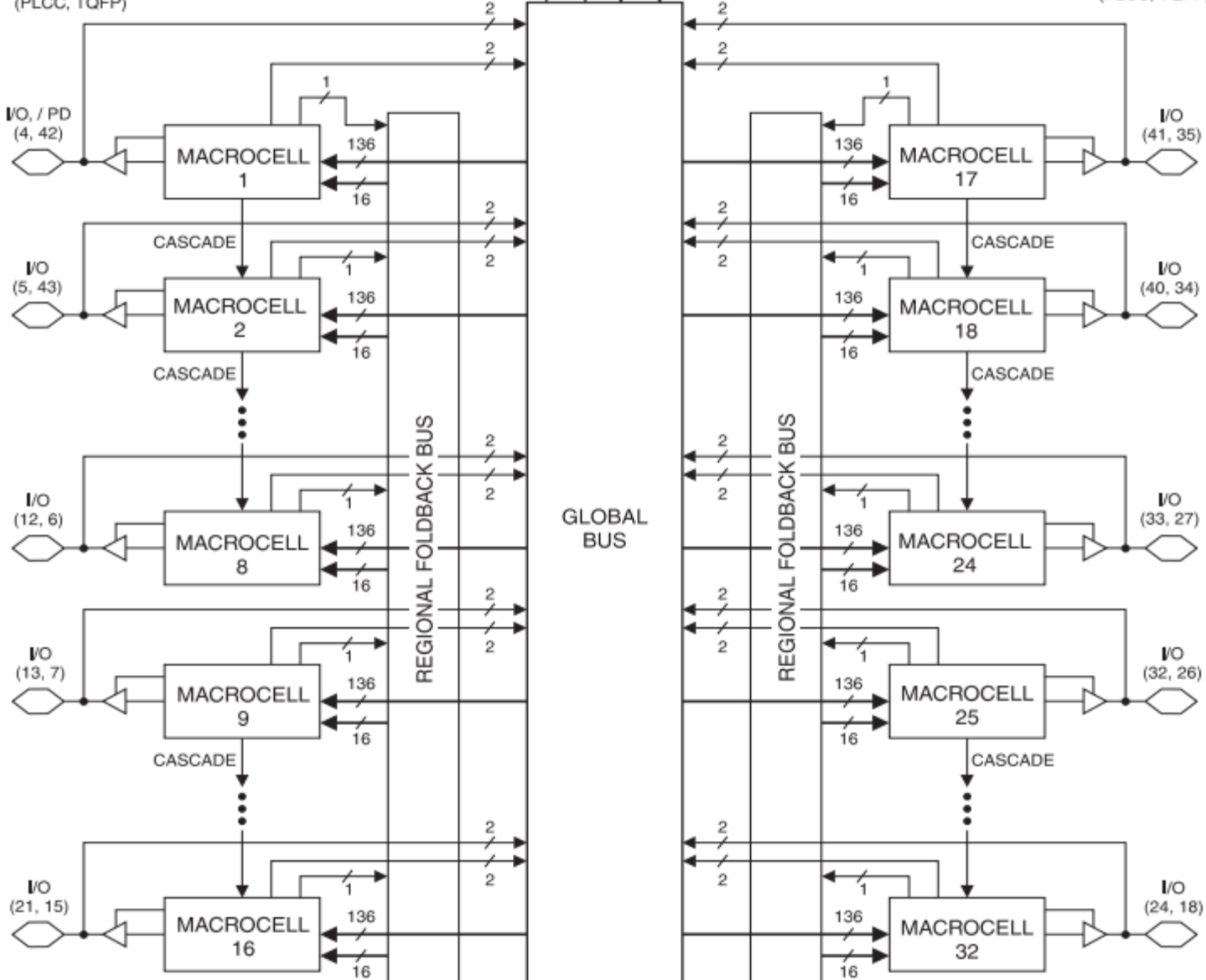
(2, 40) INPUT/OE2

INPUT/CLK (43, 37)

INPUT/GCLR (1, 39)

PIN #
(PLCC, TQFP)

PIN #
(PLCC, TQFP)



PIN #
(PLCC, TQFP)
V_{CC}: (3, 41)
(15, 9)
(23, 17)
(35, 29)

PIN #
(PLCC, TQFP)
GND: (10, 4)
(22, 16)
(30, 24)
(42, 36)