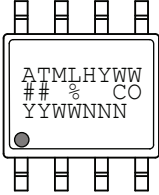

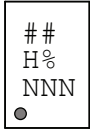
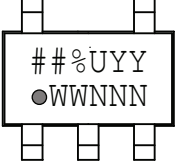


AT24CS16: Package Marking Information

<p>8-Lead SOIC</p>  <p>ATMLHYWW ## % CO YYWWNNN</p>	<p>8-Lead TSSOP</p>  <p>ATHYWW ## %CO YYWWNNN</p>
<p>8-Pad UDFN</p> <p>2.0 x 3.0 mm Body</p>  <p>## H% NNN</p>	<p>5-Lead SOT23</p>  <p>##%UYY ●WWNNN</p>

Note 1: ● designates pin 1

Note 2: Package drawings are not to scale

Catalog Number Truncation			
AT24CS16		Truncation Code ##: NA	
Date Codes			Voltages
YY = Year	Y = Year	WW = Work Week of Assembly	% = Minimum Voltage
16: 2016 20: 2020	6: 2016 0: 2020	02: Week 2	M: 1.7V min
17: 2017 21: 2021	7: 2017 1: 2021	04: Week 4	
18: 2018 22: 2022	8: 2018 2: 2022	...	
19: 2019 23: 2023	9: 2019 3: 2023	52: Week 52	
Country of Origin	Device Grade	Atmel Truncation	
CO = Country of Origin	H or U: Industrial Grade	AT: Atmel ATM: Atmel ATML: Atmel	
Trace Code			
NNN = Alphanumeric Trace Code (2 Characters for Small Packages)			