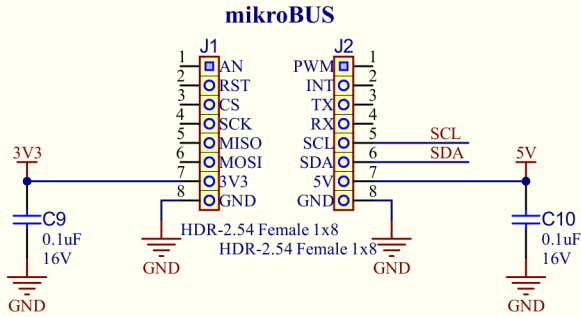
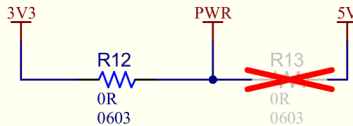


mikroBUS INTERFACE CONNECTORS

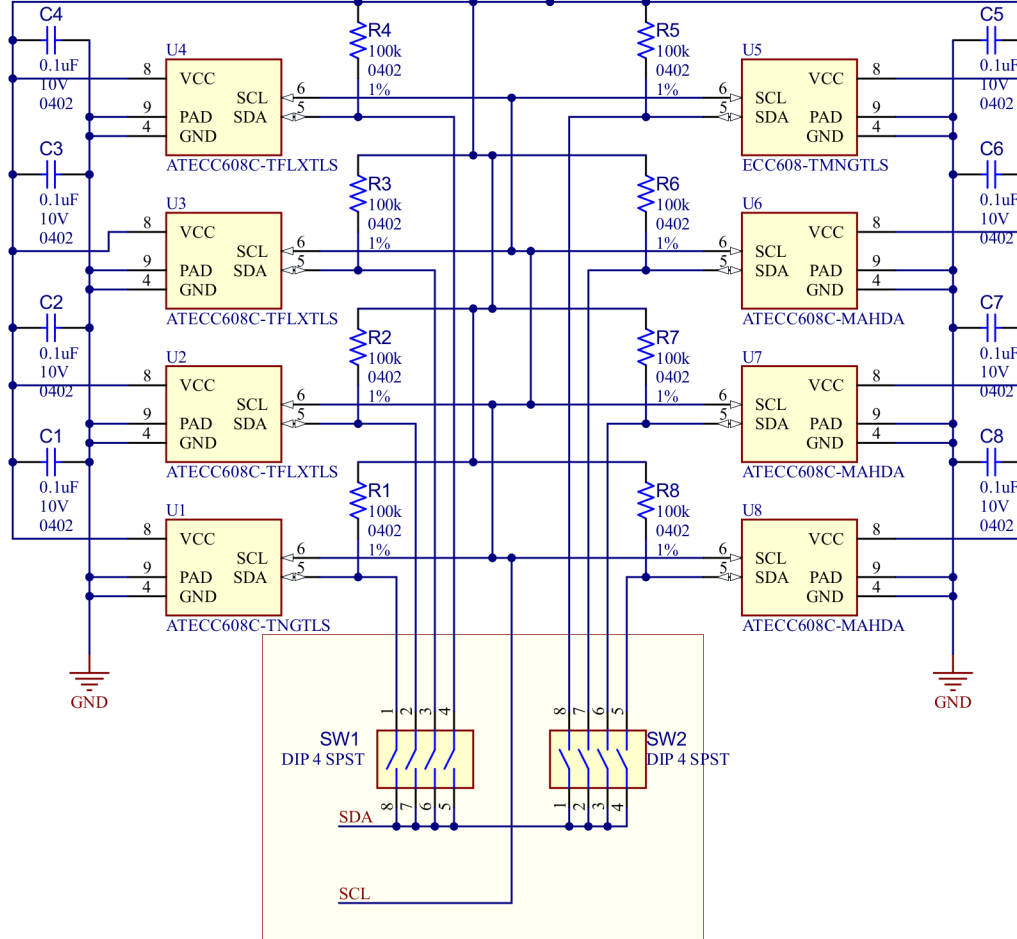


Power Option Select

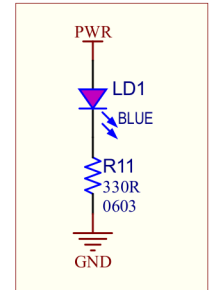
(3.3V Default)



ATECC608C Devices



SUPPLY INDICATOR



I2C Pull-ups

