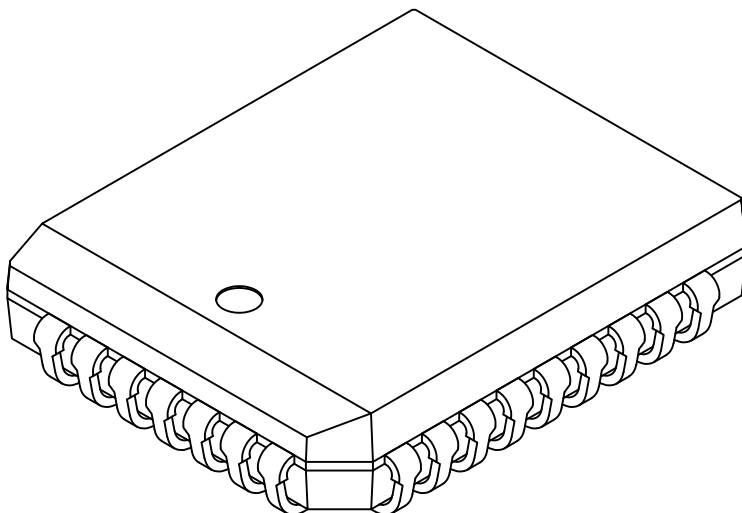


32-Lead Plastic Leaded Chip Carrier (L) - Rectangle [PLCC]

Note: For the most current package drawings, please see the Microchip Packaging Specification located at <http://www.microchip.com/packaging>



Dimension Limits	Units	INCHES		
		MIN	NOM	MAX
Number of Pins	N	32		
Pitch	e	.050 BSC		
Pins along Length	ND	7		
Pins along Width	NE	9		
Overall Height	A	.125	.132	.140
Contact Height	A1	.060	.0775	.095
Standoff §	A3	.015	-	-
Corner Chamfer	CH1	.042	.045	.048
Chamfers	CH2	-	-	.020
Side Chamfer Height	CH3	.023	.026	.029
Overall Length	D	.485	.490	.495
Overall Width	E	.585	.590	.595
Molded Package Length	D1	.447	.450	.453
Molded Package Width	E1	.547	.550	.553
Footprint Length	D2	.376	.411	.446
Footprint Width	E2	.476	.511	.546
Lead Thickness	c	.008	.010	.013
Upper Lead Width	b1	.026	.029	.032
Lower Lead Width	b	.013	.017	.021

Notes:

- Pin 1 visual index feature may vary, but must be located within the hatched area.
- Dimensioning and tolerancing per ASME Y14.5M
 BSC: Basic Dimension. Theoretically exact value shown without tolerances.
 REF: Reference Dimension, usually without tolerance, for information purposes only.