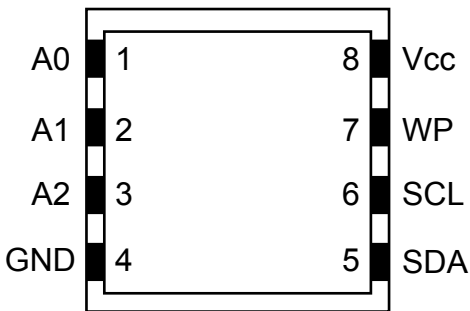


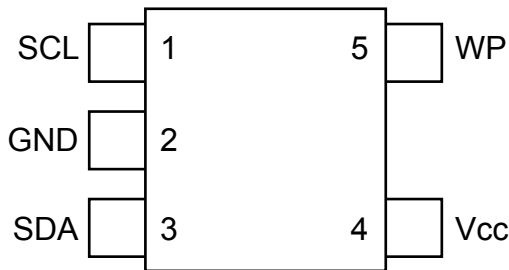
8-pad UDFN

(Top View)



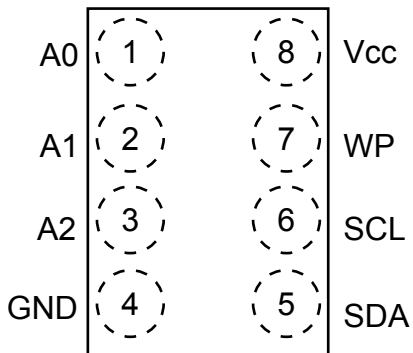
5-lead SOT23⁽¹⁾

(Top View)



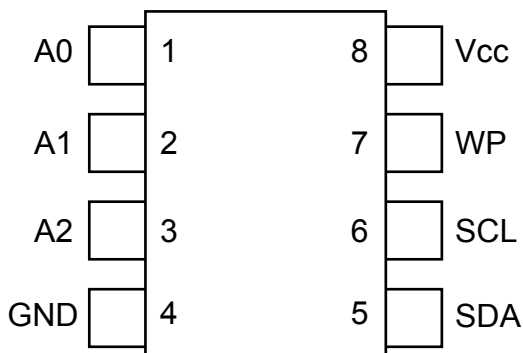
8-ball VFBGA

(Top View)



8-lead PDIP/SOIC/TSSOP

(Top View)



4-ball WLCSP⁽¹⁾

(Top View)

