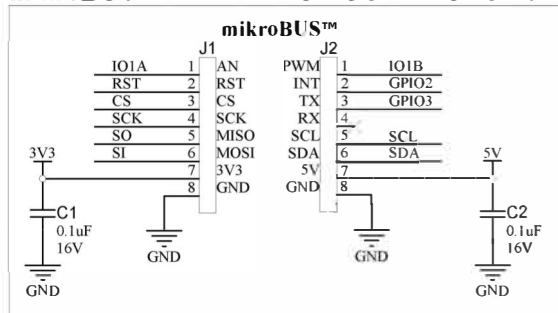
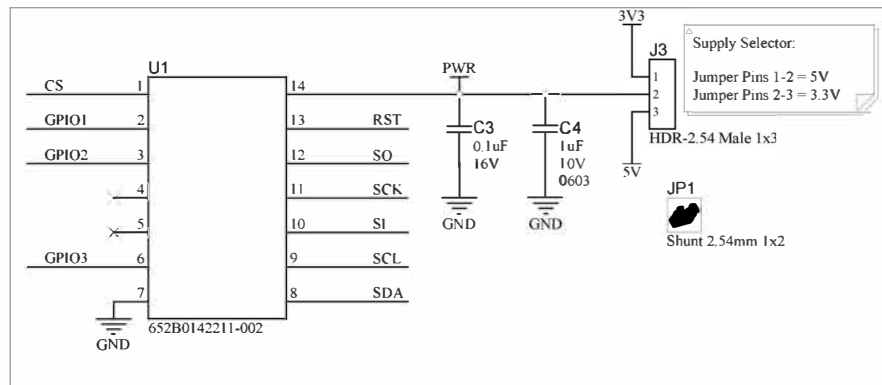


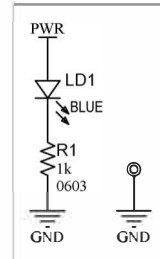
mikroBUS™ INTERFACE CONNECTORS



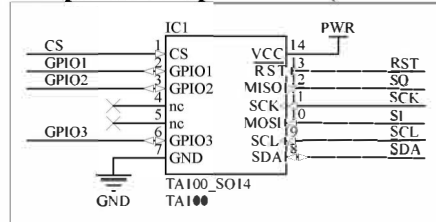
SOCKET



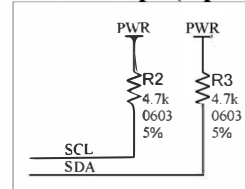
SUPPLY INDICATOR



Footprint for Optional IC (Do Not Populate)



I2C Pull-ups (Optional)



GPIO - ALT. CONNECTION

