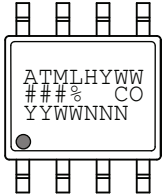

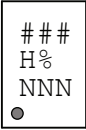
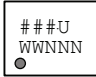


AT24C256C: Package Marking Information

8-lead SOIC	8-lead TSSOP
 <p>ATMLHYWW ###%CO YYWWNNN</p>	 <p>ATHYWW ###%CO YYWWNNN</p>
8-pad UDFN	8-ball VFBGA
<p>2.0 x 3.0 mm Body</p>  <p>### H% NNN</p>	<p>2.35 x 3.73 mm Body</p>  <p>###U WWNNN</p>

Note 1: ● designates pin 1
Note 2: Package drawings are not to scale

Catalog Number Truncation			
AT24C256C		Truncation Code ###: 2EC	
Date Codes			Voltages
YY = Year	Y = Year	WW = Work Week of Assembly	% = Minimum Voltage
16: 2016 20: 2020	6: 2016 0: 2020	02: Week 2	L: 1.7V min
17: 2017 21: 2021	7: 2017 1: 2021	04: Week 4	
18: 2018 22: 2022	8: 2018 2: 2022	...	
19: 2019 23: 2023	9: 2019 3: 2023	52: Week 52	
Country of Origin		Device Grade	Atmel Truncation
CO = Country of Origin		H or U: Industrial Grade	AT: Atmel ATM: Atmel ATML: Atmel
Lot Number or Trace Code			
NNN = Alphanumeric Trace Code (2 Characters for Small Packages)			